

DRUM HANDLING EQUIPMENT



Drum Lifter



Model: DL500C

This Vertical Drum Lifter is designed to attach to a crane or hoist and grab and transport 55 gallon closed head steel drums to other locations.

Model		DL500C
Max. Weight Capacity	kg (lbs)	500 (1000)
Drum Type Lifted		55 gallon closed head steel drum
Net Weight	kg (lbs)	30 (65)
Overall Dimension	mm (inch)	H=470 (18-1/2"), W=737 (29"), H=200 (8")

Drum Lifter



Model: DL500D

This product is a professional tool used for lifting, transporting and stowing 33 gallon and 55 gallon steel or polyethylene drums open or closed.

It is designed with a 3 point drum contact with stabilizing arm which reduces damage to the drum and automatically engages the drum rim when lowered.

Model		DL500D
Max. Weight Capacity		500kg (1000 Lbs)
Drum Type Lifted		33 gallon and 55 gallon, closed-head steel & poly drums
Net Weight		13kg (30 Lbs)
Overall Dimension		H=215mm (8-1/2"), W=711mm (28"), D=711mm (28")

Drum Lifter



Model DL500

Drum Lifter has same application as crane, electric hoist and chain hoist. **Drum Lifter** has various application for lifting if large and small steel drum without lid, or even for liquid or solid, the different shaped or transformed steel boxes.

DO NOT exceed working load limit. Up-right lifting would be applicable by one hand operation if spring will be off.

As general usages, there is an example to use steel drum to cut half or adequated size to use.



In such case of no edge (portion of drum) appearing on grip section, there is risk for GRABS to slip or come off. But in this case, grips edges would be welded or bolted reinforcements as shown right.

Model	Working Load Limit		Prove Test Load	Working Load Limit		Working Load Limit			Reach	Weight
	Single	Double		Diameter	Length	Dia.	Inside	Outside		
DL500	500 kg	1000 kg	2000 kg	6.3 mm	516 mm	13 mm	66 mm	93 mm	690m	22 kg
	1100 lbs	2200 lbs	4400 lbs	1/4"	20 1/8"	1/2"	2 1/8"	3 1/2"	27 1/4"	49 lbs



WARNING:
Do Not Exceed Working Load Limit



Electric Drum Stacker (Power Lifting & Two-Stage)

Two-stage vertical-lift drum pourers allow you to pour a drum up to 245 cm high
 Power lift with electric drum tilt
 Model DA450A-1 & DA450B-1: Equipped with weighing scale allow you to weigh your drum while you pour to dispense precise amounts as needed.



DA450A-1



A electric motor for tilting

B weighing scale



DA450B-1

Model		DA450A	DA450A-1	DA450B	DA450B-1
Rated Capacity	(Kg)	450	450	450	450
Max. Lifting Height	(mm)	2450	2450	2450	2450
Acceptable Drum Type		plastic, fiber	plastic, fiber	steel	steel
Powered Lifting	(yes/no)	yes			
Drum Tilting (electric/manual)		electric			
With Weighing Scale	(yes/no)	no	yes	no	yes
Lifting Speed	(mm/s)	120	120	120	120
Rotating Speed of Dumper		180°/30s	180°/30s	180°/30s	180°/30s
Load Rollers Size	(mm)	Ø80x60	Ø80x60	Ø80x60	Ø80x60
Steering Wheel Size	(mm)	Ø150x50	Ø150x50	Ø150x50	Ø150x50
Size Between Legs(inner/Out)	(mm)	630/810			
Leg Length	(mm)	740	740	740	740
Turning Radius	(mm)	1850	1850	1850	1850
Lifting Motor Power	(KW)	1.5	1.5	1.5	1.5
Battery	(V/AH)	12/120			
Charger for Stacker	(V)	12			
Charger for Weighing Scale	(V)	8			
Overall Size(LxWxH)	(mm)	1500x950x2100	1500x950x2100	1500x950x2100	1500x950x2100
Net Weight	(Kg)	330	335	336	340

Electric Drum Stacker (Power Lifting & Single-Stage)

Single-stage vertical-lift drum pourers allow you to pour a drum up to 145 cm high
Power lift and power drum tilt for ergonomic drum pouring

Model DA500A-1 & DA500B-1: Scale-equipped drum Stackers allow you to weigh your drum while you pour to dispense precise amounts as needed.



DA500A-1



A electric motor for tilting B weighing scale



DA500B-1

Model		DA500A	DA500A-1	DA500B	DA500B-1
Rated Capacity	(Kg)	500	500	500	500
Max. Lifting Height	(mm)	1450	1450	1450	1450
Acceptable Drum Type		plastic, fiber	plastic, fiber	steel	steel
Power Lifting	(yes/no)	yes			
Drum Tilting (electric/manual)		electric			
With Weighing Scale	(yes/no)	no	yes	no	yes
Lifting Speed	(mm/s)	120	120	120	120
Rotating Speed of Dumper		180°/30s	180°/30s	180°/30s	180°/30s
Load Rollers Size	(mm)	Ø80x60	Ø80x60	Ø80x60	Ø80x60
Steering Wheel Size	(mm)	Ø150x50	Ø150x50	Ø150x50	Ø150x50
Size Between Legs (Inner/Out)	(mm)	630/810			
Leg Length	(mm)	630	630	630	630
Turning Radius	(mm)	1750	1750	1750	1750
Lifting Motor Power	(KW)	1.5	1.5	1.5	1.5
Battery	(V/AH)	12/120			
Charger for Stacker	(V)	12			
Charger for Weighing Scale	(V)	6			
Overall Size(LxWxH)	(mm)	1500x950x2060	1500x950x2060	1500x950x2060	1500x950x2060
Net Weight	(Kg)	250	255	250	255

Electric Drum Stacker (Power Lifting & Single-Stage)

Single-stage vertical-lift drum pourers allow you to pour a drum up to 145 cm high

Power lift with manual drum tilt

Model DA500C-1 & DA500D-1: Scale-equipped drum Stackers allow you to weigh your drum while you pour to dispense precise amounts as needed.



DA500C-1

DA500D-1

Model		DA500C	DA500C-1	DA500D	DA500D-1
Rated Capacity	(Kg)	500	500	500	500
Max. Lifting Height	(mm)	1450	1450	1450	1450
Acceptable Drum Type		plastic, fiber	plastic, fiber	steel	steel
Powered Lifting	(yes/no)	yes			
Drum Tilting (electric/manual)		manual			
With Weighing Scale	(yes/no)	yes	yes	no	no
Lifting Speed		120	120	120	120
Rotating Speed of Dumper	(mm/s)	180°/30s	180°/30s	180°/30s	180°/30s
Load Rollers Size	(mm)	Ø80x60	Ø80x60	Ø80x60	Ø80x60
Steering Wheel Size	(mm)	Ø150x50	Ø150x50	Ø150x50	Ø150x50
Size Between Legs (Inner/Out)	(mm)	630/810			
Leg Length	(mm)	630	630	630	630
Turning Radius	(mm)	1750	1750	1750	1750
Lifting Motor Power	(KW)	1.5	1.5	1.5	1.5
Battery	(V/AH)	12/120			
Charger for Stacker	(V)	12			
Charger for Weighing Scale	(V)	6			
Overall Size (LxWxH)	(mm)	1500x950x2100	1500x950x2100	1500x950x2100	1500x950x2100
Net Weight	(Kg)	240	245	240	245

Electric Drum Stacker

Single-stage vertical-lift drum Stacker allow you to stack a drum up to 145 cm high With power lift
Model DT500-1-1: Be equipped with weighing scale.



DT500-1



DT500



DT500

Model		DT500	DT500-1
Rated Capacity	(Kg)	500	500
Max. Lifting Height	(mm)	1450	1450
Acceptable Drum Type		steel, plastic	
Power Lifting	(yes/no)	yes	
Drum Tilting (electric/manual)		without dumping device	
With Weighing Scale	(yes/no)	no	yes
Lifting Speed	(mm/s)	120	120
Load Rollers Size	(mm)	Ø80x60	Ø80x60
Steering Wheel Size	(mm)	Ø150x50	Ø150x50
Size Between Legs (Inner/Out)	(mm)	630/810	
Leg Length	(mm)	630	630
Turning Radius	(mm)	1750	1750
Lifting Motor Power	(KW)	1.5	1.5
Battery	(V/AH)	12/120	1.5
Charger for Stacker	(V)	12	
Charger for Weighing Scale	(V)	6	
Overall Size (LxWxH)	(mm)	1500x950x2100	1500x950x2100
Net Weight	(Kg)	208	228

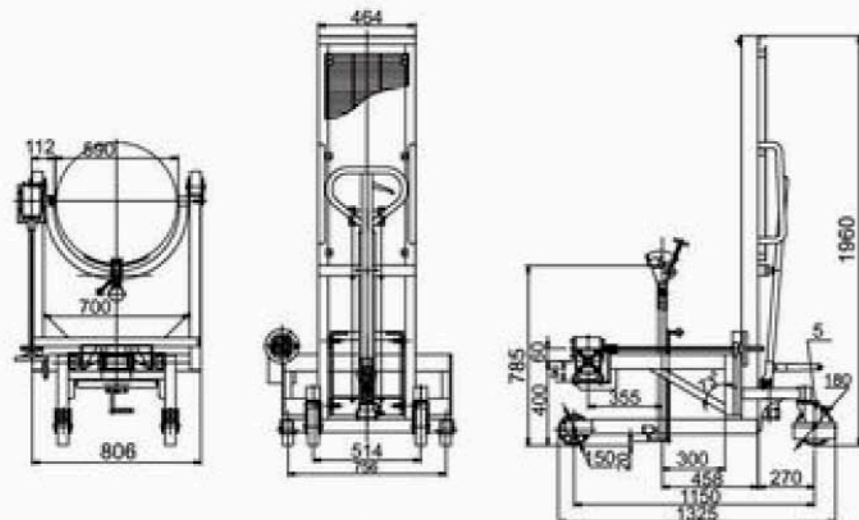
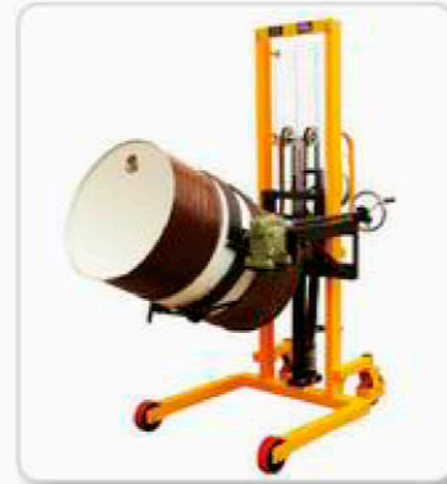
Drum Stacker

Capacity 400KG



DA40A

Easy to lift, transport and tilt 55gallon drum.
 Available to carry the drum to rack (lower than 1350 mm).
 Tilt the drum 120° for oil empty.
 Compact and reliable mechanism system to fix drum.
 It can lock a drum in vertical position to avoid spills or horizontal position for draining through a faucet.
 Easy lift with pedal when unload.



Model	DA40A	
Capacity	(kg)	400
Drum Size	572mm(22.5" Diameter),210Liters(55gallon)	
Lifting Height	(mm)	1350
Rear Castor Dia.xWidth	(mm)	180x50
Net Weight	(kg)	190

Drum Stacker

Capacity 400KG



DA40B

Easy to lift, transport and tilt 55gallon drum.
 Available to carry the drum to rack (lower than 1350 mm).
 Tilt the drum 120° for oil empty.
 Compact and reliable mechanism system to fix drum.
 It can lock a drum in vertical position to avoid spills or horizontal position for draining through a faucet.
 Easy lift with pedal when unload.

Model	DA40B	
Capacity	(kg)	400
Drum Size	572mm(22.5" Diameter),210Liters(55gallon)	
Lifting Height	(mm)	1350
Rear Castor Dia.xWidth	(mm)	180x50
Net Weight	(kg)	190

Manual Drum Stacker -with Scale

Single-stage vertical-lift drum pourers allow you to pour a drum up to 145 cm high

Manual lift with manual drum tilt

Equipped with weighing scale allow you to weigh your drum while you pour to dispense precise amounts as needed.



Model		DA40A-1	DA40B-1
Rated Capacity	(Kg)	400	400
Max. Lifting Height	(mm)	1450	1450
Acceptable Drum Type		plastic, fiber	steel
Drum Tilting (electric/manual)		manual	
With Weighing Scale	(yes/no)	yes	yes
Load Rollers Size	(mm)	Ø80x60	Ø80x60
Steering Wheel Size	(mm)	Ø150x50	Ø150x50
Size Between Legs (Inner/Out)	(mm)	630/810	630/810
Leg Length	(mm)	770	770
Charger for Weighing Scale	(V)	6	6
Overall Size (LxWxH)	(mm)	1500x950x2060	1500x950x2060
Net Weight	(Kg)	175	165

Drum Stacker

For lifting, turning, mixing, emptying and transporting drums.

Hydraulic cylinder with pipe breakage protection. Hydraulic lifting with pedal.

Drums are turned with hand crank. 2 castors, 1 swivel castor with wheel stop, solid rubber wheels.

For 200 litre steel drums with rolling hoops.

For plastic and steel drums, Ø400-600mm.



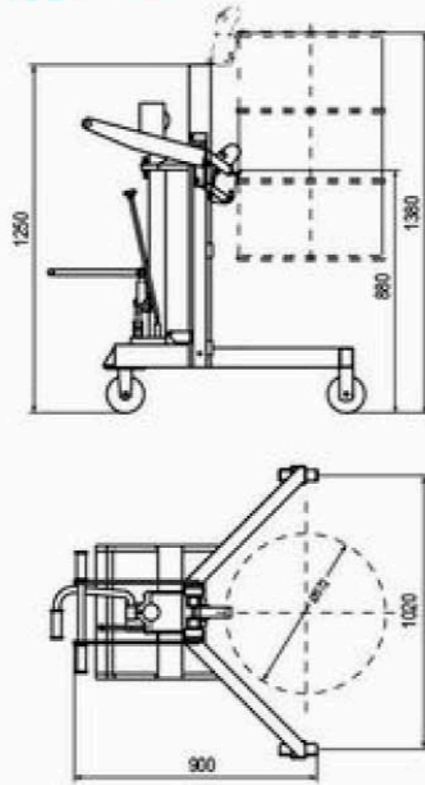
Model		WB30	WE30
Type		Manual	Electric
Capacity	(kg)	300	300
Drum Size	(mm)	Ø572x900	Ø572x900
Front Wheel	(mm)	Ø200	Ø200
Rear Wheel	(mm)	Ø150	Ø150
Strokes to Maximum Lifting Height Approx		82	—
Lifting Speed Approx	(mm/s)	—	40
Power Unit	(KW)	—	150
Battery	(V/Ah)	—	12/60

Drum Truck

Capacity 450KG



Heavy Duty



Easily glides over pallet to quickly load or unload 30 or 55-gallon drums, Grabs drums from the middle of a standard pallet with a drum clawgrab, raises the drums up, and redistributes them throughout the facility.

Also removes drums from the corner of containment skids. Highly maneuverable unit features a unique two poly wheel and two poly caster.

Model	DT450
Lifting Capacity (kg)	450
Lifting Height (mm)	500
Lifting per stroke (mm)	11.6
Drum Size	572mm(22.5" Diameter),210Liters(55gallon)
Net Weight (kg)	165

Drum Truck

Capacity 450KG

Easily glides over pallet to quickly load or unload 30 or 55-gallon drums, Grabs drums from the middle of a standard pallet with a drum clawgrab, raises the drums up, and redistributes them throughout the facility.

Also removes drums from the corner of containment skids. Highly maneuverable unit features a unique two poly wheel and two poly caster.



DTF450B-1



DTF450C-1

Model		DTF450B-1	DTF450C	DTF450C-1
Rated Capacity	(Kg)	450	450	450
Max. Lifting Height	(mm)	600	1100	1100
Acceptable Drum Type			steel ,plastic ,fiber	
With Weighing Scale	(yes/no)	yes	no	yes
Load Rollers Size	(mm)		Ø150x50	
Steering Wheel Size	(mm)		Ø125x50	
Size Between Legs(Inner/Out)	(mm)	920/1140	920/1140	920/1140
Leg Length	(mm)	500	500	500
Charger for Weighing Scale	(V)		6	
Overall Size(LxWxH)	(mm)	1140x950x1370	1140x950x1870	1140x950x1870
Net Weight	(Kg)	122	130	135

Drum Truck

Capacity up to 350KG.

Combine transport and pouring in one machine.



DTF350B



DTF350B



DTF350A



DTF350A



DTF350A

Model		DTF350A	DTF350B
Rated Capacity	(Kg)	350	350
Max. Lifting Height	(mm)	800	800
Acceptable Drum Type		steel ,plastic, fiber	
Drum Size	(mm)	Ø570-Ø600	Ø570-Ø600
Load Rollers Size	(mm)	Ø125x50	Ø125x50
Steering Wheel Size	(mm)	Ø125x50	Ø125x50
Net Weight	(Kg)	165	165

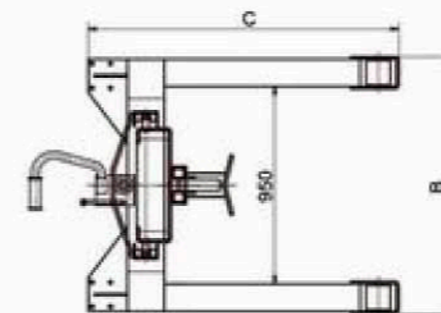
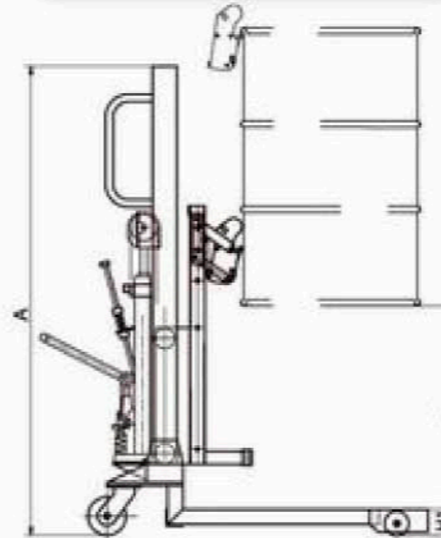
Heavy Duty Design

Widely used in drum handling applications.

Max. capacity up to 350KG.

DT350B can stack one drum to another drum.

Low height of legs allow the legs to enter the pallets.



Drum Truck

Capacity 350KG



Heavy Duty

DT350B



Heavy Duty

DT350A

Model		DT350A	DT350B
Lifting Capacity	(Kg)	350	350
Drum Size:	(mm)	Ø 572 x900	Ø 572 x900
Front Wheel	(mm)	Ø80	Ø80
Rear Wheel	(mm)	Ø125	Ø125
Max. Lifting Height H	(mm)	750	1200
Supporting Leg Height H1	(mm)	90	90
Overall Dimension (AxBxC)	(mm)	1545x1146x1100	2000x1146x1100
Net Weight	(Kg)	140	175

Drum Truck

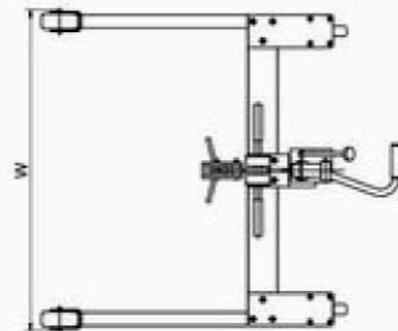
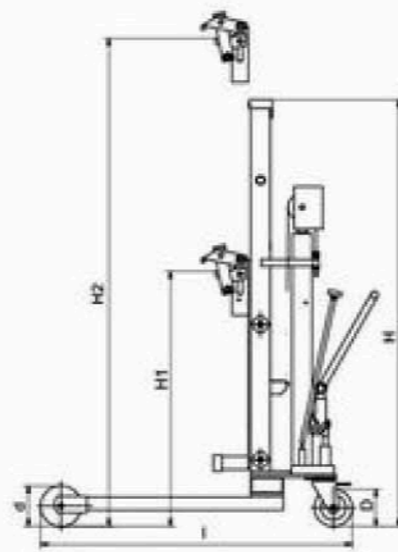
Capacity 300KG



DT300A



DT300A



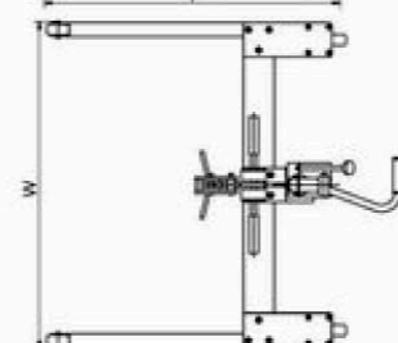
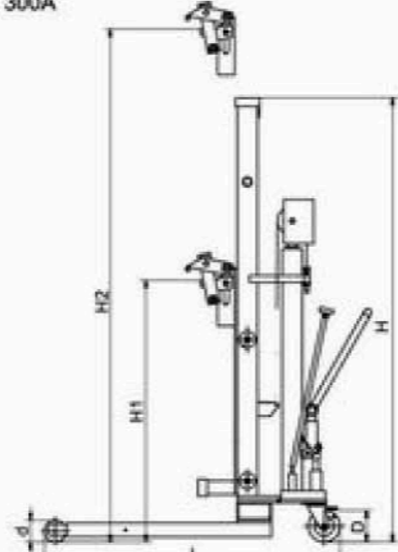
DT300A



DT300B



DT300B



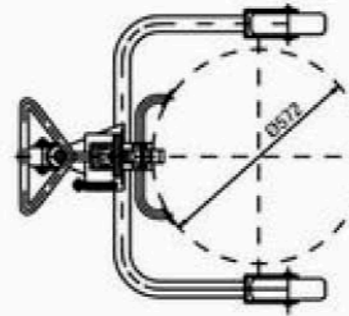
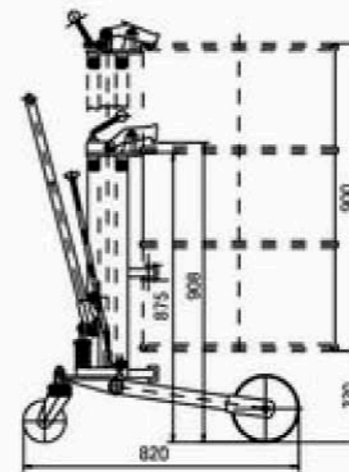
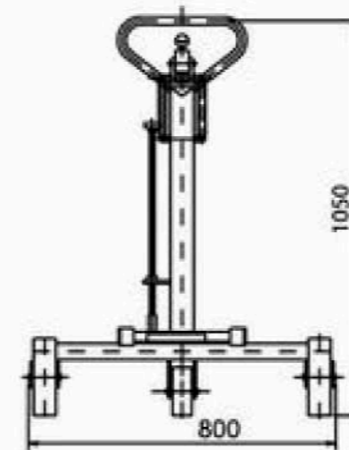
DT300B

Ergonomic lifts, transports, and places poly, steel, or fiber drums on or off pallets.
A spring-loaded clamp securely holds any rimmed drum.
High lifting height for ledge and car.
Compat design and less effort operation.
Disassembling easy and for small carton store.

Model	DT300A	DT300B (Low Profile)
Lifting Capacity (kg)	300	300
Drum Size	572mm(22.5" Diameter),210Liters(55gallon)	572mm(22.5" Diameter),210Liters(55gallon)
Front Wheel Dia.xWidth (mm)	Ø125x32	Ø64x37
Rear Castor Dia.xWidth (mm)	Ø125x32	Ø80x32
Net Weight (kg)	72	68
Lifting Height (mm)	805	805

Hydraulic Drum Truck

Capacity 250KG



Less lifting force by a reliable hydraulic pump.
Easier moving with two big size rollers and one caster wheel.

Model	DT250
Lifting Capacity	250 kg/ 550 lbs
Lifting Height	345mm/ 13.58"
Lifting per stroke	22mm/ 0.87"
Drum Size	572mm(22.5" Diameter, 210Liters(55gallon)
Net Weight	42kg/ 93lbs



Drum Truck

DE450A: Equipped with pneumatic wheels for uneven ground
 DE450B: suitable for using on slope
 DE450C: suitable for using on even ground

One person operate Easily
 Self-standing with kickstand.
 10 rubber wheel let you operate with less effort.
 Safely carry and grip the drum.



DE450A

DE450B



DE450C



Model		DE450A	DE450B	DE450C
Rated Capacity	(Kg)	450	450	450
Acceptable Drum Type			steel ,plastic, fiber	
Frong Wheel	(mm)		Ø250x50	
Back Wheel	(mm)	no	no	Ø75x32
Overall Size	(mm)		1450x700x750	
Net Weight	(Kg)	28	22	24

Mobile-Karrier



HD80A



HD80B

Model		HD80A	HD80B
Capacity	(Kg)	364Kg/800lbs, Steel Drum	
Acceptable Drum Type		Steel	Plastic
Drum Size	(mm)	572mm (22.5")Diameter, 210 Liters(55 gallon) ,36" High(915.5mm)	
Net Weight	(Kg)	50(Kg)/110lbs	

Drum Cradles

One man operation to lift drum for dispensing.
 Loading handle available to aid drum tipping.
 Polyester webbing strap available to securely clamp drum to stand when loading / unloading and transporting.
 Hook on drip tray available.



Model	Drum Type	Front Wheel	Rear Castor	Net Weight
DF10	210 litre steel	Ø125X35 mm	Ø100X35 mm	14.5 kg

Drum Palletizer



Moves and transports drums easily to or from pallets. Dual ratchet stops hold the weight of the drum, and provide several positions where the handle stays until operator holds no weight and does not need to balance drum truck.



Model	DJ365	
Capacity	365 kg/800lbs	
Acceptable Drum Style	55 gallon, Steel	
Overall Size	(mm)	1160x1220x800
Net Weight	(kg)	85
Wheel (Poly) Dia x width	(mm)	Ø150x50, Ø100x32

Hydraulic Drum Truck



One person operate easily. Only for carrying and moving, not for tilting. Lifting after grabbing fasten when operating.



Model	HJ365	
Capacity	365kg / 800lbs	
Acceptable Drum Style	55 gallon, Steel	
Max. Height of Arm	(mm)	390
Min. Height of Arm	(mm)	270
Radius of Arm	(mm)	290
Oversize (LxW)	(mm)	1022x722
Net Weight	(kg)	53

Low Profile Drum Caddy



Easily transport 30 or 55 gallon steel, plastic or fiber drums. Removable handle is used to tilt drum for position on dolly and features a built in bung nut wrench and seal remover.



Model	DC500	
Capacity	500kg/1100lbs	
Drum Size	30 or 55 gallon	
Overall Size	(mm)	950x570x750
Net Weight	(kg)	17
Wheel (Poly) Dia x Width	(mm)	Ø150x50, Ø75x32



Steel Drum Dollies



SD30



SD55A



SD55C



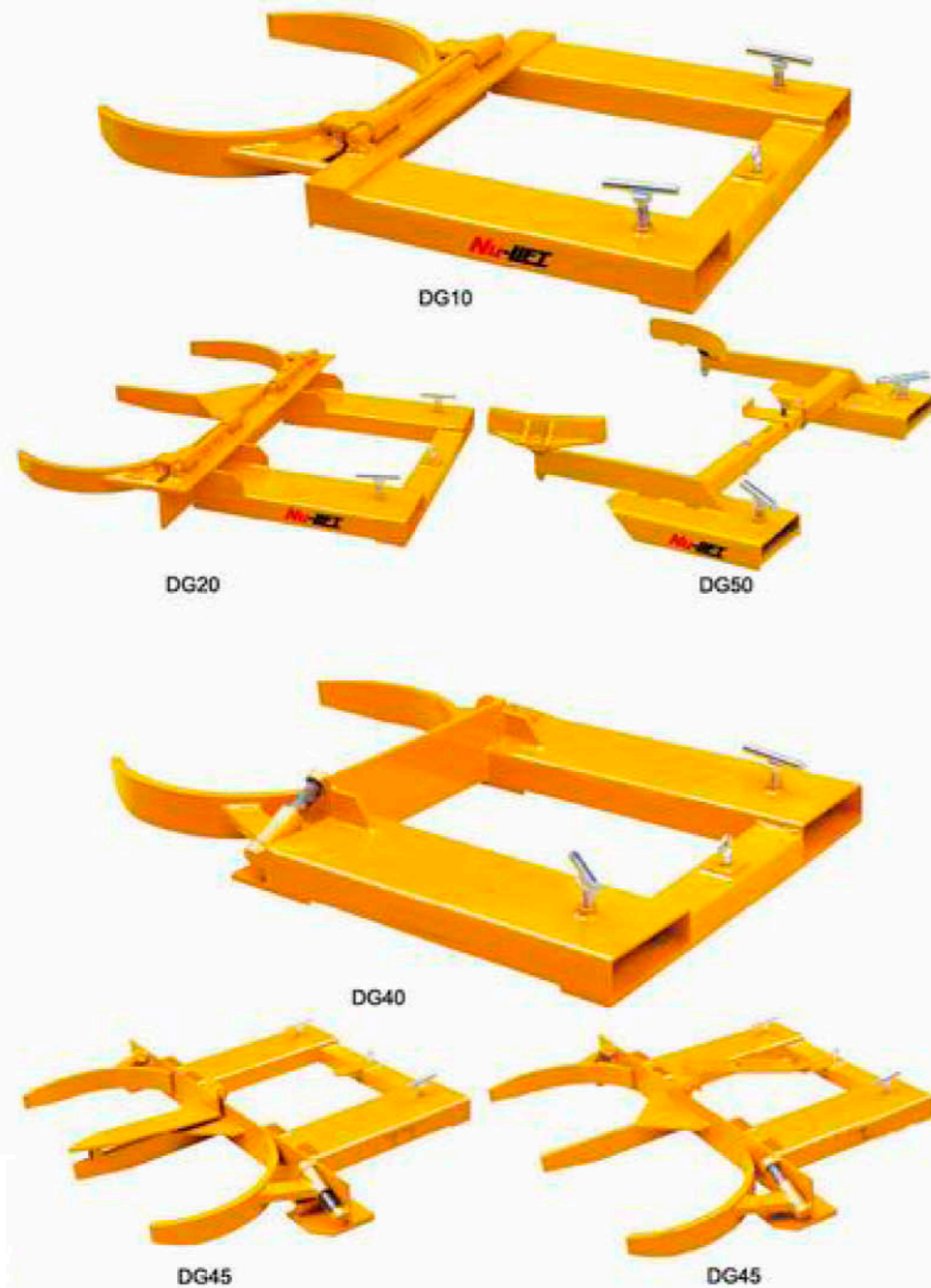
SD55D



SD55B

Model		SD30	SD55A	SD55B	SD55C	SD55D
			steel		stainless	
Rated Capacity	KG	300	300	400	300	400
Drum Size	gallon	30	55	55	55	55
Inside Diameter	mm	Ø510	Ø610	Ø610	Ø610	Ø610
Net Weight	KG	5.8	6.8	7.5	5.5	5.7
Overall Size	mm	Ø510x150	Ø610x150	Ø730x150	Ø610x150	Ø730x150
Wheel Size(PU)	mm	Ø75x35	Ø75x35	Ø75x35	Ø75x35	Ø75x35

Drum Grab



Fork Mounted Automatically!

Easily and quickly lift drums without hydraulic or electric connections. Simply slip onto forks and tighten hand screws. Heavy duty steel construction. Lifts, transports and deposits drums without leaving the driving position. Firm pressure is automatically applied by action of the loaded drum and will be firmly maintained in the same position until being deposited, it is then automatically released.

Model	Drum Type	Capacity (lbs/per drum)	Drum (Gallon)	Fork Pockets (inch)	Net weight (lbs)
DG10	Single Steel Drum	1500	55	5 1/2 x 2	121
DG20	Double Steel Drum	1500	55	7 x 2 1/4	198
DG30	Adjustable, Single Steel Drum	1500	30 or 55	5 1/2 x 2	115
DG40	Adjustable, Steel/Plastic Drum	1500	30 or 55	7 x 2 1/4	125
DG45	Adjustable, Double Steel Drum	1500	30 or 55	7 x 2 1/4	194
DG50	Adjustable, Single Poly Drum	1000	30 or 55	5 3/8 x 1 1/2	41



DG50 for plastic drum



DG40



How to use:

step 1

step 2

step 3

DG20



HK285A, HK285B



HK285C



HK285C



HK285D



HK285D

Forklift-Karrier

Converts your fork truck into a drum handler!

HK285A & HK285B: control the drum through pull chain.

HK285C: control the drum through hand wheel.

HK285D: control the drum through electric motor



HK285A, HK285B



HK285C



HK285D

Model		HK285A	HK285B	HK285C	HK285D
Capacity	(Kg)	364	680	300	300
Acceptable Drum Type		steel		steel, plastic	
Drum Size	(mm)	Ø570-Ø600			
Fork Opening	(mm)	620		825	
Fork Pocket	(mm)	180x65		150x55	
Net Weight	(Kg)	70	97	60	63

Forklift Drum Grab



Forklift Drum Grab



Model		DG360A	DG720A	DG1080A	DG1440A
Rated Capacity	(Kg)	360	360x2	360x3	360x4
Acceptable Drum Type		steel ,plastic, fiber			
Net Weight	(Kg)	45	62	98	126
Overall Size	(mm)	930x670x850	930x910x850	1520x1080x850	2140x1080x850
Fork Pockets(LxWxH)	(mm)	750x150x55	750x150x55	900x150x55	900x150x55
Fork Opening	(mm)	500	590	830	830

Model		DG360B	DG720B	DG1080B	DG1440B
Rated Capacity	(Kg)	360	360x2	360x3	360x4
Acceptable Drum Type		steel ,plastic, fiber			
Net Weight	(Kg)	52	77	123	158
Overall Size	(mm)	960x670x850	960x910x850	1520x1110x850	2140x1110x850
Fork Pockets(LxWxH)	(mm)	750x150x55	750x150x55	900x150x55	900x150x55
Fork Opening	(mm)	500	590	830	830

Forklift Drum Grab-Heavy Duty



Model		DG500A	DG1000A	DG1500A	DG2000A
Rated Capacity	(Kg)	500	500x2	500x3	500x4
Acceptable Drum Type		steel ,plastic, fiber			
Net Weight	(Kg)	52	71	114	140
Overall Size	(mm)	910x730x850	910x760x870	1570x1080x850	2190x1080x850
Fork Pockets(LxWxH)	(mm)	750x150x55	750x150x55	900x150x55	900x150x55
Fork Opening	(mm)	590	590	830	830

Forklift Drum Grab-Heavy Duty



Model		DG500B	DG1000B	DG1500B	DG2000B
Rated Capacity	(Kg)	500	500x2	500x3	500x4
Acceptable Drum Type		steel ,plastic, fiber			
Net Weight	(Kg)	60	86	146	170
Overall Size	(mm)	910x760x850	910x760x870	1570x1110x850	2190x1110x850
Fork Pockets(LxWxH)	(mm)	750x150x55	750x150x55	900x150x55	900x150x55
Fork Opening	(mm)	590	590	830	830

Drum Lifters

DY4 model: hoist and crane mounted drum lifter

CY4 model: forklift mounted drum lifter

They are for handling 1-4 drums at one time

Low Clearance Drum Handlers for tight space loading



DY4



Max. 4 drums at one time!!



CY4

Model		DY4	CY4
Rated Capacity	(Kg)	500x4	500x4
Acceptable Drum Type		steel ,plastic, fiber	
Length	(mm)	630	980
Width	(mm)	630	960
Height	(mm)	540	500
Net Weight	(Kg)	125	170
Fork Opening	(mm)	/	700
Fork Pockets(LxWxH)	(mm)	960x175x65	



Drum Lifters

CDY6 & CDY8 : can be used for forklifts as well as hoists and cranes.

CDY6 model: for handling 1-6 drums at one time.

CDY8 model: for handling 1-8 drums at one time.

Low Clearance Drum Handlers for tight space loading.



Max. 6 drums at one time!!

CDY6



Max. 8 drums at one time!!

CDY8



Model		CDY6	CDY8
Rated Capacity	(Kg)	500x6	500x8
Acceptable Drum Type		steel ,plastic, fiber	
Length	(mm)	1220	1830
Width	(mm)	960	960
Height	(mm)	630	630
Net Weight	(Kg)	308	396
Fork Opening	(mm)	600	710
Fork Pockets(LxWxH)	(mm)	960x175x65	



Drum Lifters

Manual Type



Special web sling as option.



Model LM800

800lbs. full drum, 500lbs. half-full drum capacity.

For 55-gallon closed steel drums. Idea for low lever pouring and dumping operations.

Positive tilt lock on drum saddle to hold drum upright in transit.

When released, the operator can manually tilt the drum to control pouring and the drum can be rotated 360° in either direction.

Locks also hold drum in horizontal position.

Overall dimensions: 39"H x 28 1/2"W x 8"D. Net weight 20kg/ 44lbs.

Geared Type



Special web sling as option.



Model LG800

800lbs. full drum, 500lbs. half-full drum capacity.

For 55-gallon closed steel drums.

Allows remote pouring operations.

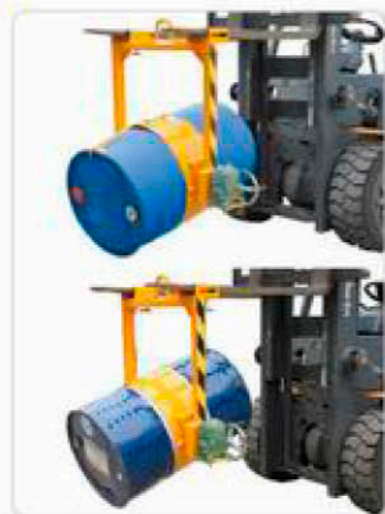
Geared chain control and low effort feature make this model useable at any height.

10-ft control chain can be locked to secure drum in any position during transit and dispensing.

Overall dimensions: 39"H x 28 1/2"W x 8"D. Net weight 38kg/ 84lbs.

Forklift Mounted and Crane Mounted Type

Can be used on forklift as well as crane.



Model LF800

800lbs full drum , 500lbs half-full drum capacity

For 55-gallon closed steel and plastic drums.

Drum Tongs



DM500



DN500

Drum Lifter

Model: DL350

Capacity: 350kg

For lifting 210 litre steel drum.

Easy moves and handles open or closed head, loaded steel drums. Allows quick, gentle loading into overpacks and keeps drums upright during lift, reducing spills and injuries.

Works easily with overhead hoist or hook from forklift.

All-steel construction.

Net weight: 9.5kg.

Model: DL360

Capacity: 360kg

For lifting 210 litre open top and tight head steel drum, and plastic drums with L or X rings.

Welded gripping hooks.

Fitted with 20mm diameter steel pin for attaching to overhead hoist or crane.

Net weight: 4.5kg.

All-steel construction.

Works easily with overhead hoist or hook from forklift.

Model DL500A easy moves and handles open or closed head, loaded steel drums. Allows quick, gentle loading into overpacks and keeps drums upright during lift, reducing spills and injuries.

Model DL500B easy and safely moves the drum.

Model: DL500B

Capacity: 500kg

Drum: 55gallon

Net Weight: 7.5kg



DL500B



DL500A

Model: DL500A

Capacity: 500kg

Drum: 55gallon

Net Weight: 5kg

Capacity 500kg

For lifting 210 litre drums with overhead hoist.

All steel construction.

Manual tong Model DM500 suitable for open top or tight head steel drum, and plastic drums with L or XL ring.

Semi-automatic tong model DN500 suitable for steel drums-open top and tight head. To operate set locking lever in locked open position.

When central over the horizontal, drum release lever to allow hooks to fall and locate under both rims, Hooks automatically engage as is lifted and disengage as drum is set down.

Model	DM500	DN500
Capacity (kg)	500	500
Drum (litre)	210	210
Net Weight (kg)	3.2	7.6